

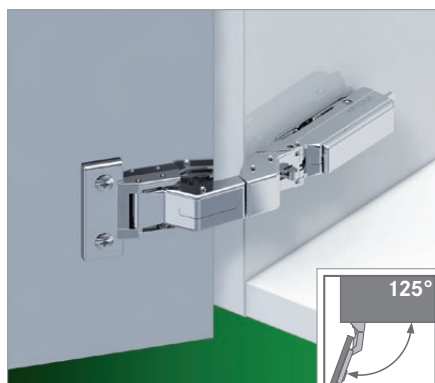
HINGE SYSTEM RECOMMENDATION TIOMOS M-SERIES FOR GREATER DESIGN SCOPE

ADVANTAGES OF THE TIOMOS M0 AND M9 HINGES

- Perfect design without visible plastic parts
- Greatest door overlay with up to 25 mm*
- Tool-free, 3-stage damper adjustment:
Smooth door closure irrespective of the size and weight
- 30% more mounting plate overlay:
Very high stability and less dropping under load
- Mounting plate with 4-point fixing:
High stability
- Available in 3 versions:
 - With integrated damper (3 adjustable damping levels)
 - Without integrated damper
 - Without self-closing mechanism (without spring)

* M0: 22 - 25 mm only with opening angle reduction clip.

TIOMOS M0 125° HINGE (DOOR THICKNESSES OF 6 TO 10 MM)



- No cup hole necessary
- For door overlays of up to 25 mm
- Compatible with all mounting plates in the Tiomos range
- Zero protrusion up to 14 mm overlay

ORDER INFORMATION

Door overlay			Cranking	Damper		without spring	Item No.
				with	without		Click-on For screw fixing
Overlay 	Half overlay 	Inset 	-	■	-	-	F029140331
				-	■	-	F047140332
				-	■	■	F049140333

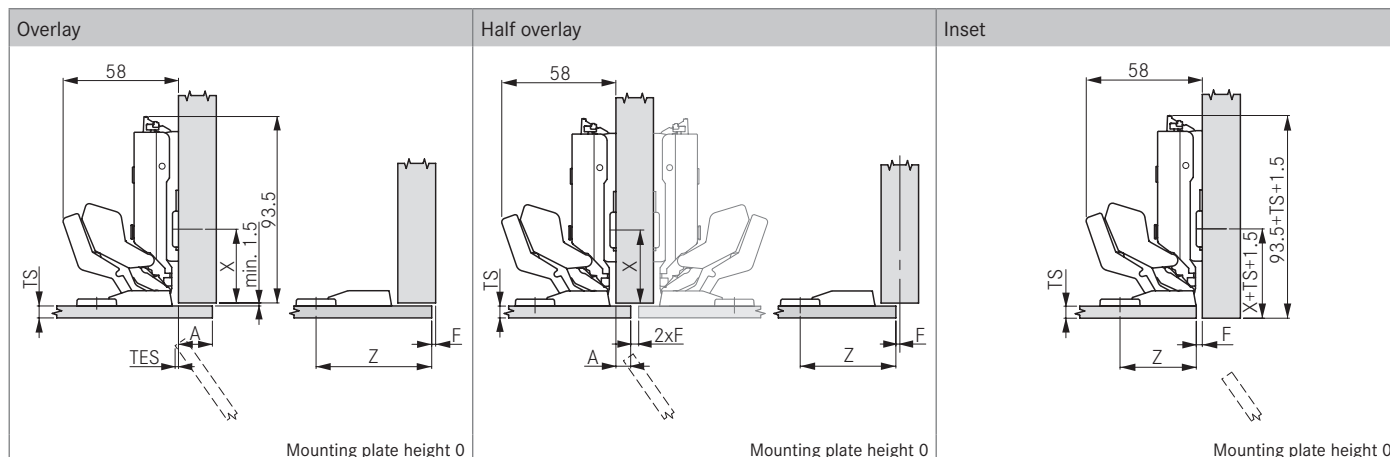
FASTENING OPTIONS

	Designation	Item No.
	Euro screw, nickel-plated, Ø 6.3 mm	F146073979
	Countersunk screw M4 x 8 mm, sleeve M4 x 5.5 mm, internal hex key For a minimum door thickness of 6,4 mm SWISSCDF.	F072135928

		Material thickness		
		6,4 mm	8,4 mm	10,4 mm
Material	SWISSCDF	F072135928		
		F146073979		

INSTALLATION INFORMATION

All dimensions in millimetres



MINIMUM GAP/MINIMUM REVEAL

Values with a mounting plate height 0

Screwing dimension (Z)	38	39	47	49	51	53	55	56	58	60	61	63	64	66
Door protrusion (TES)	0	0	0	0	0	0	0	0.5	1.5	3	3.4	0	0	0
Door overlay (A)	-3	-2	6	8	10	12	14	15	17	19	20	22 ¹	23 ¹	25 ¹
Min. reveal (F)/gap (S)	F S	F S	F S	F S	F S	F S	F S	F S	F S	F S	F S	F S	F S	F S
Door thickness 6-10 (TS)	2	1.5	2	1.5	2	1.5	2	1.5	2	1.5	2	1.5	2	2.5

¹ Door thickness A = 22 - 25 only with opening angle reduction clip.

CROSS MOUNTING PLATE

LINEAR MOUNTING PLATE

SCREWING POSITION

Hole spacing	Mounting plate height 0			
28	37			
37	46			

Mounting plate position (X)

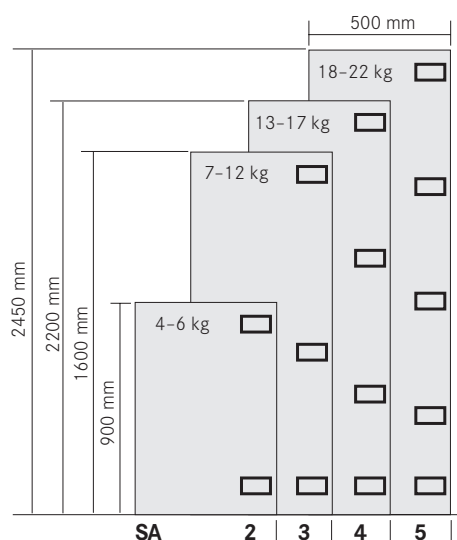
Hole spacing	Mounting plate height 0			
X	29			

Mounting plate position (X)

Mounting plate height 0				
Z	A+41			
A	max. 25			

Screwing dimension (Z)

NUMBER OF HINGES



NOTES

An inset application is achieved with the mounting plate (X) and a low housing screwing distance (Z).

① Installation advice Countersunk screw M4 x 8 mm with sleeve M4 x 5.5 mm:

1. Drill a \varnothing 5 mm hole.
Drilling depth: 6 mm
2. Slightly countersink the edge of the hole
3. Insert the sleeve
4. Knock in the sleeve with a hammer
5. Position the hinge and secure with the screws

① Installation advice Euro cheesehead screw \varnothing 6.3 x 10.5 mm:

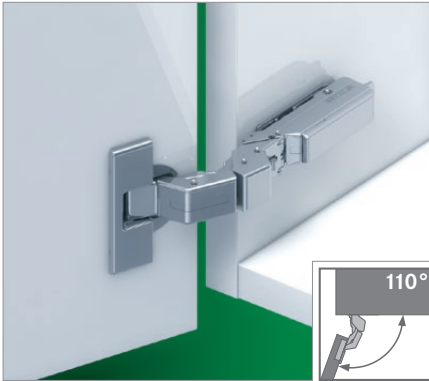
1. Drill a \varnothing 5 mm hole
2. Position the hinge and secure with the screws

① **Installation advice:** Depending on the type and thickness of the base material the pull-out resistances can vary with the same fastening method. For information regarding the selection and processing of the base material please contact the base material supplier.

① **Liability claims:** Please note that GRASS cannot accept any liability for damage resulting from unsuitable fastening materials or methods.

TIOMOS M9

110° HINGE (DOOR THICKNESSES OF 12 TO 28 MM)



- 35 mm full cup drilled hole
- Low cup depth of 9 mm

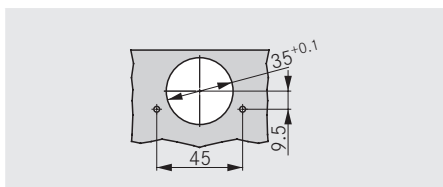
ORDER INFORMATION

Door overlay	Drilling template	Cranking	Dämpfung		without spring	Item No.
			with	without		Click-on For screw fixing
<div style="display: flex; justify-content: space-around;"> <div style="text-align: center;"> <p>Overlay</p> </div> <div style="text-align: center;"> <p>Half overlay</p> </div> <div style="text-align: center;"> <p>Inset</p> </div> </div>	45/9.5	14	■	-	-	F029 140338
			-	■	-	F047 140339
			-	■	■	F049 140340
	48/9		■	-	-	F029 140334
			-	■	-	F047 140335
			-	■	■	F049 140336
	48/6		■	-	-	F029 140341
			-	■	-	F047 140342
			-	■	■	F049 140343

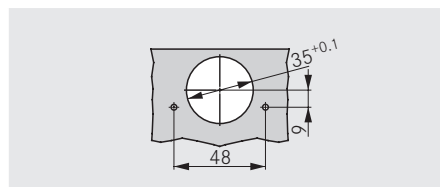
Cup material: Zamak, nickel-plated/arm material: Zamak, nickel-plated

DRILLING PATTERNS FOR SCREW FIXING

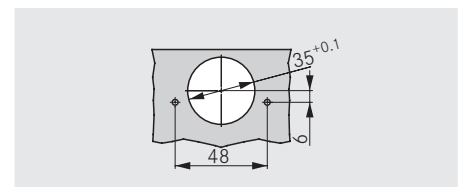
45/9.5



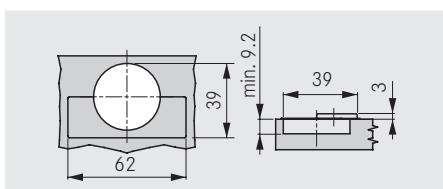
48/9



48/6

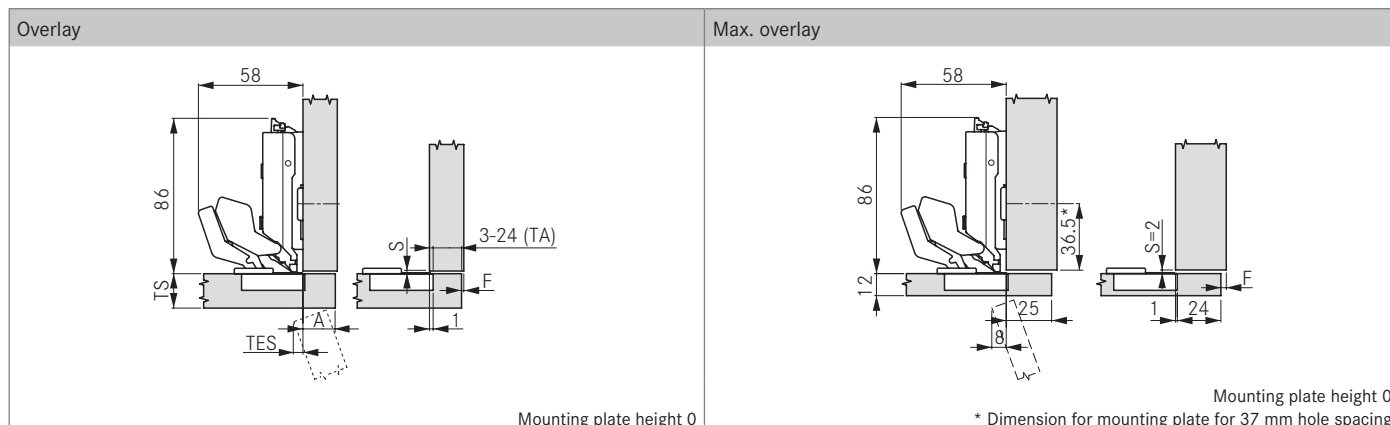


CUP DIMENSIONS



INSTALLATION INFORMATION

All dimensions in millimetres



MINIMUM GAP/MINIMUM REVEAL

values for 0 mounting plate height

Door thickness (TS)	Cup distance (TA)		Door protrusion (TES)		Door overlay (A)		min. reveal (F)/gap (S)	
	F	S	F	S	F	S	F	S
12-20	3	4	0.8	1.1	4	5	1	1.5
12-20	5	6	1.5	1.8	6	7	1	1.5
	7	8	2.2	2.5	8	9	1	1.5
12-20	9	10	2.9	3.2	10	11	1	1.5
	11	12	3.5	3.9	12	13	1	1.5
12-20	13	14	4.2	4.6	14	15	1	1.5
	15	16	4.9	5.3	16	17	1	1.5
12-20	17	18	5.6	5.9	18	19	1	1.5
	19	20	6.3	6.6	20	21	1	1.5
12-20	21	22	7	7.3	22	23	1	2
	23	24	7.6	8	24	25	1	2
12-20	25	26	8.3	8.6	26	27	1	2
	27	28	9	9.3	28	29	1	2

ACCESSORIES FOR TIOMOS M0 AND M9

Image	Designation	Imprinted/Embossed	Item No.
	Hinge arm cover cap, steel, nickel-plated, not imprinted	On request	F072135500
	Hinge arm cover cap, right, steel, nickel-plated, GRASS imprint	GRASS logo	F072135550
	Hinge arm cover cap, left, steel, nickel-plated, GRASS imprint		F072135551
	Premium hinge arm cover cap with integrated clip protection, plastic, black, not imprinted	On request	F072140504
	Hinge cup cover cap, steel, nickel-plated, not imprinted (for M9 hinges only)	-	F072135503

Image	Designation	Item No.
	Tipmatic pin for wooden and aluminium frame doors	F069135396

Image	Designation	Item No.
	90° opening angle reduction clip	F072135871

NOTE

Minimum reveal for doors with chamfered edges (R = 1 mm) set at factory setting. Trial fitting is recommended for all door thicknesses.

FURTHER INFORMATION:

